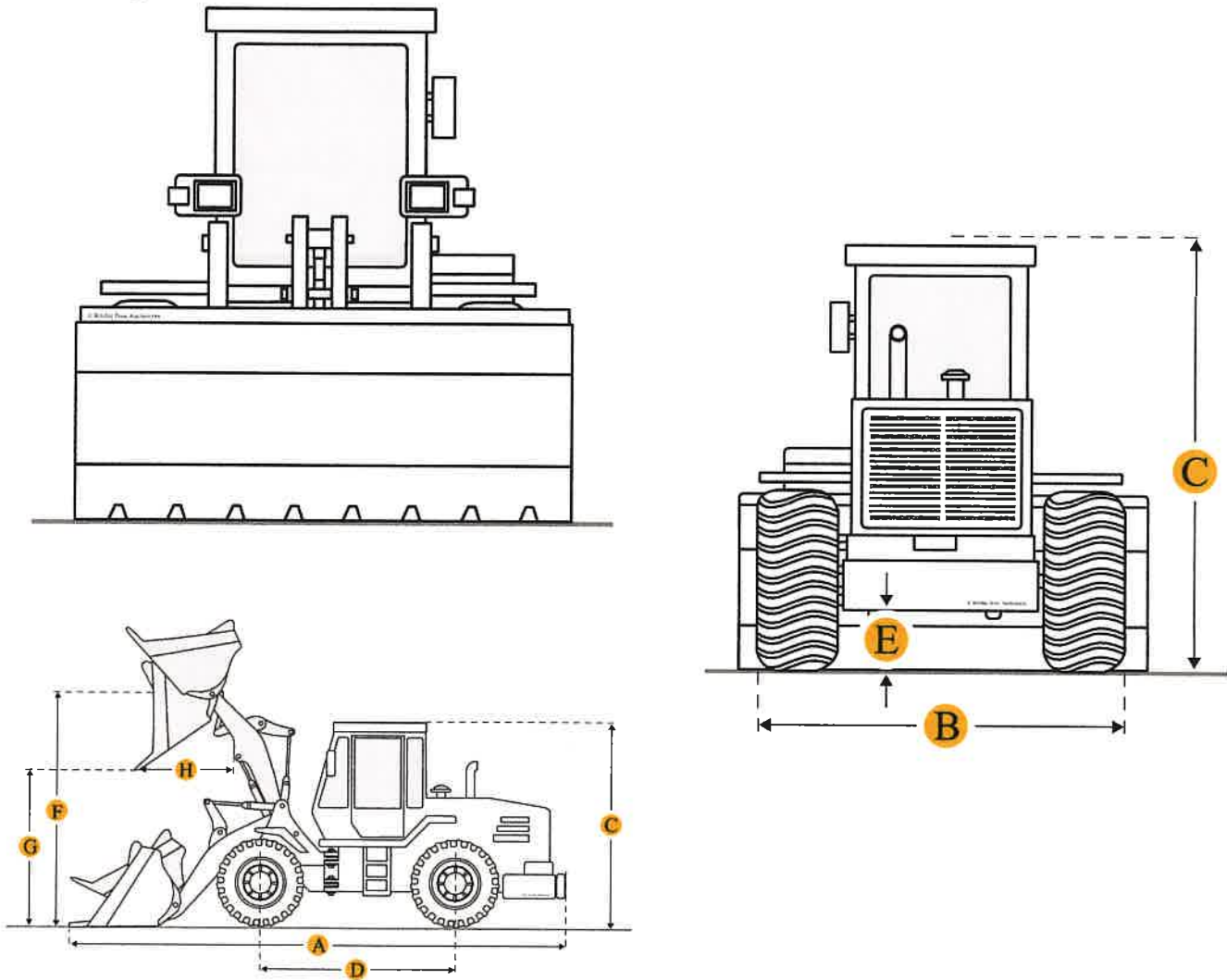


Caterpillar 930G Wheel Loader



Dimensions

Units Imperial Metric

Dimensions

E
Ground Clearance

1.39ft in

A
Length With Bucket On Ground

25.85ft in

D

Specifications

Engine

Number Of Cylinders

1

Engine Make

Caterpillar

Engine Model

3056E DIT

Net Power

150.2hp

Gross Power

161hp

Power Measured @

2300rpm

Max Torque

80

Displacement

366.2cu in

Bore

4in

Stroke

5in

Operational

Operating Weight

29039.3lb

Fuel Capacity

59.5gal

Hydraulic System Fluid Capacity

33.1gal

Cooling System Fluid Capacity

10.6gal

Transmission Fluid Capacity

9.2gal

Front Axle / Diff Fluid Capacity

Transmission

Number Of Forward Gears

4

Number Of Reverse Gears

3

Max Speed - Forward

38mph

Max Speed - Reverse

24mph

Compare similar models

[Caterpillar 926M Waste Handler](#)

Operating Weight

31240 lb

[Caterpillar 930M](#)

Operating Weight

30879 lb

[Caterpillar 930M Aggregate Handler](#)

Operating Weight

31144 lb

Compare

Find Caterpillar 930G Wheel Loader for Sale

[See Caterpillar Wheel Loader for sale rbauction.com](#)

[See Caterpillar Wheel Loader for sale ironplanet.com](#)

[See Caterpillar Wheel Loader for sale mascus.com](#)